

Catalog # :

Project :

Prepared By :

Date :



TLWP Series Large LED Wall Pack



LSI LED wall lights utilize glare free LED placement and reflector technology. These fixtures produce a smoother and whiter light resulting in more footcandles on the ground, making it the best choice when replacing traditional HID wall packs.

Features & Specifications

Optical System

- Lens assembly is designed to provide high efficiency and to target the light where needed to satisfy outdoor lighting requirements.
- Positioning of the LEDs result in the light being directed to desired locations eliminating glare and offensive light.
- Minimum CRI of 80

Electrical

- High-performance driver features over-voltage, under voltage, short-circuit and over temperature protection.
- 0-10 volt dimming (10% - 100%) standard.
- Standard Universal Voltage (120-277 Vac) Input 50/60 Hz
- L70 Calculated Life: >100k Hours
- Total harmonic distortion: <20%
- Power factor: >.85
- Input power stays constant over life.
- Driver Off-State Power is 0 watts.
- Components are fully encased in potting material for moisture resistance. Driver complies with FCC standards. Driver and key electronic components can easily be accessed.
- Minimum 4kV surge rating

Controls

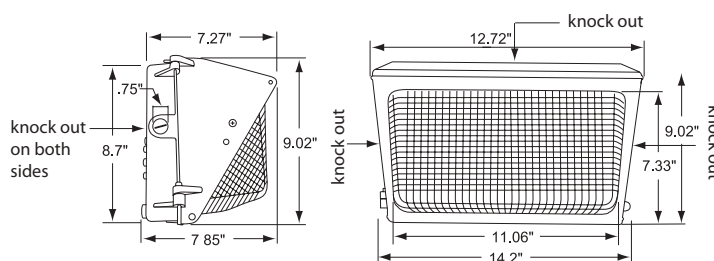
- Optional electronic button Photocontrol.
- Apertures for field or factory installed photocontrol.
- Optional 120v-277v integral emergency battery pack is available to meet critical life safety lighting requirements. The 90-minute batteries provide constant power to the LED system, ensuring code compliance. A test switch/indicator button is installed on the housing for ease of maintenance.

Construction

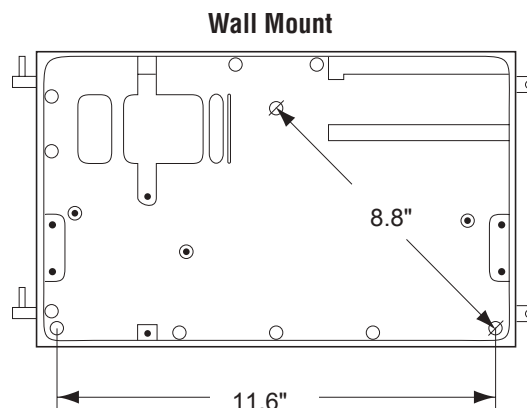
- Rugged traditional aluminum die cast housing provides proven environmental protection for LED modules.
- Traditional fixture design provides a familiar look and standard installation requirements.
- Retaining this look allows the ability to upgrade fixtures gradually, while retaining the same overall fixture appearance throughout a facility.



Dimensions Design is Protected by US Patent 9,482,395



Mounting Detail





TLWP Series Large LED Wall Pack

Features & Specifications (Cont.)

- Patent pending thermal stacking technology system features a unique internal design that allows for lower operating temperatures which results in a brighter, whiter light, more stable color and longer LED and driver life.
- LSI LEDs provide higher lumen output, greater energy efficiency and more reliable fixture performance.
- LEDs manufactured for the TMWP series utilize Epoxy Guard conformal coating which reduces the chance of board corrosion.
- Weight: 9.25 lbs in carton

Controls

- Optional electronic button Photocontrol.
- Apertures for field or factory installed photocontrol.

Installation

- Fixture retains the same knock-out sizes and positions as previous models, reducing wiring costs.

Warranty

- LSI LED Fixtures carry a 5-year warranty.
- 1 Year warranty on optional Button Photocell.
- 1 Year warranty on optional Battery Back Up. Test regularly in accordance with local codes.

Listings

- Listed to UL 1598 and UL 8750.
- CSA Listed
- RoHS Compliant.
- American Recovery and Reinvestment Act Funding Compliant.
- Suitable For Wet Locations.
- DesignLights Consortium qualified luminaires, eligible for rebates from DLC member utilities.

Finishes

- Bronze is standard. Consult factory for pricing and lead time for other options.

Emergency Battery Back Up

- Provides emergency illumination (1,580 lumens) for a minimum of 90 minutes.

Performance

Lumens	3000K		4000K		5000K		Wattage
	Delivered Lumens	Efficacy	Delivered Lumens	Efficacy	Delivered Lumens	Efficacy	
6L	5294	122.35	5294	122.35	5503	127.33	43.27

Energy Savings

LED		HID			
Wattage	Annual Cost	Source Wattage	Total Wattage Used	Annual Cost	Annual Savings
43	\$19	100	129	\$77	\$58
		150	185	\$100	\$81
		175	210	\$112	\$93

DLC Listings

Lumens	3000K	4000K	5000K
	DLC Prod. ID	DLC Prod. ID	DLC Prod. ID
6L	PV7MOSLJ	PSOCEDBS	PGTXWWDP

DesignLights Consortium qualified luminaires, eligible for rebates from DLC member utilities.

Luminaire Ordering Guide

TYPICAL ORDER EXAMPLE: **TLWP LED 6L UNV DIM 30 BZA**

Family Prefix	Lumen Package	Voltage	Dimming	Color Temp	Color Rendering	Options	Finishes	Controls
TLWP LED - Large LED Wall Light	6L = 6,000 Lumens	UNV = Universal (120V-277V) HV = 347-480V Universal Voltage	DIM = Dim to 10% (0 to 10V)	30 = 3000K 40 = 4000K 50 = 5000K	Blank = 80 Color Rendering Index	CWBB = Cold Weather Emergency Battery Back Up	BZA = Bronze WHT = White BLK = Black	PC120 - 120V Button Photocontrol PC208-277 - 208-277V Photocontrol