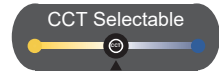


FLICKER FREE



Easily upgrade to LED BACKLIT PANEL

Topstar LED BACKLIT Panel Lights is designed and engineered for commercial applications. It provides an architectural grade, energy saving solution for outdated fluorescent ceiling light panels as well as new installations. It is the ideal energy-efficient fixtures in offices, schools, hospitals, healthcare and other applications that require slim installation depth.

Perfect for a wide range of applications

- Perfect for applications with frequent “on/off” switching cycles
- Optimize light diffusion with no risk of yellowing over product life time
- Architectural grade design, Ideal light emitting, building comfortable living, and working environment

Easy to experience

- Instant on, no flash or buzz
- Compatible with a variety of popular 0-10V dimming switches for additional energy saving
- Optimized light distribution performance with translucent lens and crafted white frame
- Standard integrated driver enables slim installation depth
- Emits virtually no UV rays or IR
- Integrated driver box for fast and easy wiring
- 10-year limited warranty
- over 50% energy savings vs traditional fluorescent troffers
- Wattage & CCT selectable

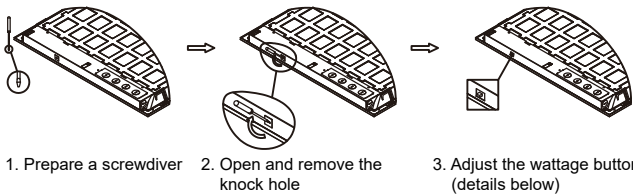
1

TOPSTAR

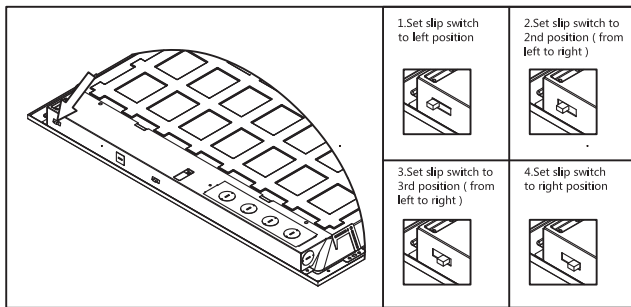
Electrical and Technical Data (subject to change without notice)

Ordering Code	Power (W)	Initial Lumen (lm)	Input Voltage	CRI	Color Temp.	Rated Average life	Dimmable	Viewing Angle
S2x2P-8DN-29PS-M3-NFD	15/19/24/29	1700/2100/2700/3200@3500K	AC120-277V	80	3500K/4000K/5000K	50,000	0-10V	160
S1x4P-8DN-29PS-M3-NFD	15/19/24/29	1700/2100/2700/3200@3500K	AC120-277V	80	3500K/4000K/5000K	50,000	0-10V	160
S2x4P-8DN-49PS-M3-NFD	29/34/39/49	3200/3800/4300/5600@3500K	AC120-277V	80	3500K/4000K/5000K	50,000	0-10V	160

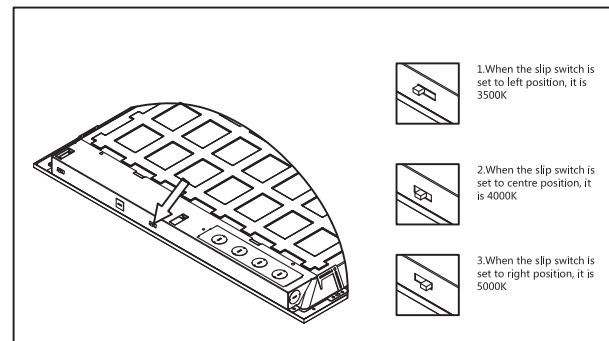
Schematic of Wattage adjustments (4 set position)



Item	Left Position	2nd Position (from left to right)	3rd Position (from left to right)	Right Position
1x4/2x2	15W	19W	24W	29W
2x4	29W	34W	39W	49W



Schematic of CCT adjustments (3 set position)



IMPORTANT

*READ CAREFULLY BEFORE INSTALLING FIXTURE. RETAIN THESE INSTRUCTIONS FOR FUTURE REFERENCE.
 *Fixtures must be wired in accordance with the National Electrical Code and all applicable local codes. Proper grounding is required for safety.
 *THIS PRODUCT MUST BE INSTALLED IN ACCORDANCE WITH THE APPLICABLE INSTALLATION CODE BY A PERSON FAMILIAR WITH THE CONSTRUCTION AND OPERATION OF THE PRODUCT AND THE HAZARDS INVOLVED.
 *WARNING: Make certain power is OFF before installing for maintaining fixture. No user serviceable parts inside.

SAFETY INSTRUCTIONS

***WARNING:** Risk of fire or electric shock. Suitable for damp locations.
 ***WARNING:** Do not handle energized fixture when hands are wet, when standing on wet or damp surfaces, or in water.
 ***WARNING:** Suitable for 9/16" or 15/16" Flat Tee Grid in both insulated ceilings and non-insulated ceilings. Access above ceiling required.
 ***WARNING:** Vapor barrier must be suitable for 90°C (194°F) .
 ***WARNING:** Fixture to be independently supported to building structure.

LED PANEL INSTALLATION

The fixture is suitable only for INDOOR RECESSED CEILING application. Above ceiling access required.

To mount in an insulated or non-insulated ceiling - 9/16" or 15/16" exposed Flat Tee Grid Ceiling follow the steps below.

1. Firmly bend the pre-installed Grid Clips (up and out as shown in Fig. 1.)
2. Rotate and slide the Fixture as required to fit through the Tee-Grid Bar and place it as indicated by the directional arrow as shown in Fig. 2. Secure the Fixture to the Tee-Grid Bar.
3. Support wires are required by installation codes. Support the Fixture to the building structure with Support Wires (supplied by others) through the Grid Clip Hole as shown in Fig. 3.
4. Make sure that the orientation of the Splice Box and Access Plate faces an accessible tile to make electrical splices.
5. Loosen Access Plate Screw and remove the Access Plate. Knock out appropriate Conduit Knockouts on the Access Plate to route input conduit. Use appropriate conduit connectors as required by code (Fig. 4).
6. Connect wires as shown in wiring diagram (FIG. 5). Push all wires back into the Splice Box. Use appropriate UL-approved wire connectors as required by code to complete wiring. Be careful not to pinch wires. **WARNING:** To prevent wiring damage or abrasion, do not expose wiring to edges of sheet metal or other sharp objects.
7. Replace Access Plate and tighten Access Plate Screw

