

PROJECT:	
CATALOG #	
TYPE:	DATE:

LED LINEAR HIGH BAY

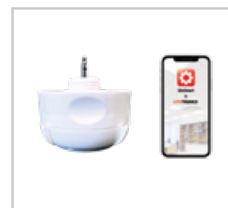
WITH SENSOR SOCKET

DESCRIPTION

The LED Linear High Bay goes above and beyond the standards, delivering top-of-the-line efficiency and versatility that results in a truly optimized approach to each application.

All LHB units can accommodate a pluggable sensor that enables increased energy saving features such as occupancy sensing and daylight harvesting, both of which can be adjusted via remote control. Our Smart Sensor enables the same energy saving features, but can be setup and managed on a group level via the LiteSmart mobile app.

The fixture also offers versatility in installation. It comes standard with 6' suspension cables and a 6' cord, making it an easy upgrade from linear fluorescent fixtures. Pendant or surface mounting kit options available.



FEATURES

- Pluggable sensor (enabling occupancy sensing or daylight harvesting)
- Compatibility with LiteSmart mobile app
- CCT 5000K
- UL rated for damp locations
- DLC 5.1 (150 LPW)
- 50,000-hour rated life
- 5-year warranty
- High Grade PMMA, with Frosted Lens for glare control
- 277V-480V High Volt Made to Order
- 0-10V dimming
- Emergency battery backup available

APPLICATIONS

- Warehouse & storage
- Industrial facilities
- Sports facilities & gyms
- Manufacturing facilities
- Retail centers

MOUNTING

- Suspension (Standard)
- Pendant (Optional)
- Surface (Optional)

CERTIFICATIONS



(Ailse models only)

SPECIFICATIONS

Life (@L70): 50,000 hours

Warranty: 5 years

PERFORMANCE

Operating temp: -4°F to 122°F (-20°C to 50°C)

Efficacy (LPW): 150 LPW

CRI: 80

ELECTRICAL

Input voltage: 120-277V

Input frequency: 50/60Hz

PF: ≥.95

THD: 20%

Surge protection: ANSI C82.77 compliant 2.5KV

Dimming: 0-10VDC ANSI C137.x compliant

Minimum dimming: 0% of rated lumen LED drive current

Aux. Voltage: No

Driver Class: N/A

Whip/Cord: 6'

Sensor: Plug-In (Choice of MW, PIR, Bluetooth)

OPTICAL

Beam: 95° x 110° | **Aisle:** 40° x 110°

Lens: Polycarbonate Frosted

UGR- Standard: >28

Premium: <28

PHYSICAL

Finish: Powder Coat

Color: White

Housing: Painted Steel

INDUSTRY STANDARDS/RATINGS

IP: 20

IK: N/A

Location: Damp

IC: No

UL/ETL: UL

FCC: Yes

RoHS: Yes

DLC - Standard Models: 5.1 Premium

Aisle Models: 5.1 Standard

LINEAR HIGH BAY KEY SPECIFICATIONS TO DETERMINE BEST SELECTION FOR FORM FACTOR

GEN 3 LHB WITH PLUG-IN SENSOR PORT



LHB GEN 4 WITH PLUG-IN SENSOR PORT, VALUE SERIES



LHBC C-SERIES WITH PLUG-IN SENSOR PORT



MODEL	ALUMINUM FRAME LINEAR HIGH BAY
ORDERING CODE	LHB***
LIFE/WARRANTY	100,000 hrs. / 10-yr
480V OPTION	Yes
LUMENS	14080 - 39680
SPEC SHEET	Gen 3 LHB Spec Sheet Download

MODEL	WHITE LINEAR HIGH BAY
ORDERING CODE	LHB***
LIFE/WARRANTY	50,000 hrs. / 5-yr
480V OPTION	Yes
LUMENS	12 - 60k
SPEC SHEET	Gen 4 LHB Spec Sheet Download

MODEL	LINEAR HIGH BAY C-SERIES
ORDERING CODE	LHBC***
LIFE/WARRANTY	50,000 hrs. / 5-yr
480V OPTION	No
LUMENS	15 - 40k
SPEC SHEET	LHBC Spec Sheet Download

MOUNTING

Standard: Suspension, Pendant (Optional), Surface (Optional).

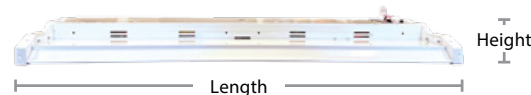
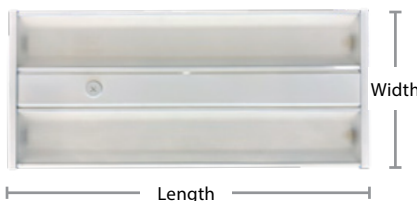
ACCESSORIES

Emergency Battery Back up Sensors

Programming Remote Control Wire Guards

SIZING FOR STANDARD, SELECTABLE AND AISLE MODELS

WATTAGE	WIDTH	LENGTH	HEIGHT
78W	10.24"	16.60"	1.8"
115W	10.24"	16.60"	1.8"
155W	10.24"	22.84"	1.8"
200W	10.24"	22.84"	1.8"
270W	10.24"	31.10"	1.8"
400W	10.24"	44.09"	1.8"



Note: Height may vary for high voltage models.

PRODUCT OVERVIEW & INSTALLATION

FIGURE A - SUSPENDING FIXTURE FROM A BEAM/RAFTER

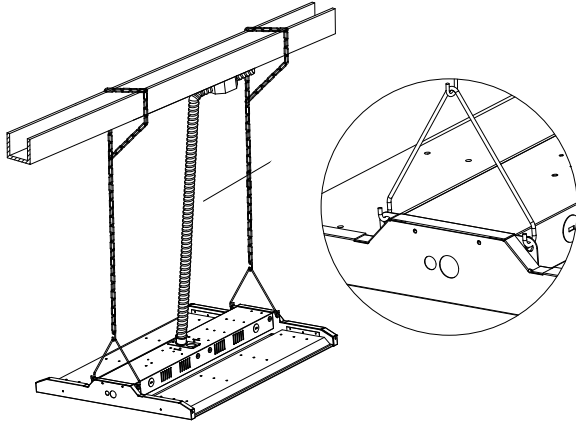
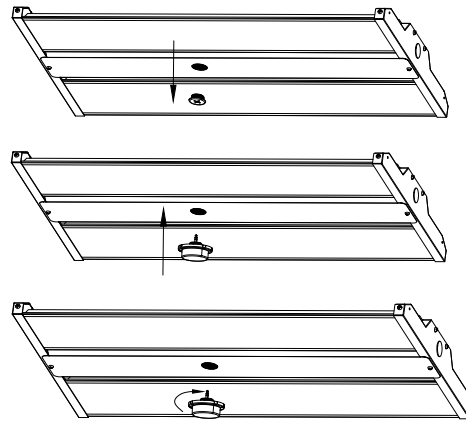


FIGURE B - SENSOR INSTALLATION



ORDERING INFORMATION

Listed below are the max wattage settings and lumens for each model number.

LHB78/LHB115

LHB155/LHB200

LHB270/LHB400



STANDARD VOLTAGE

ORDERING CODE	DESCRIPTION	WATTS	VOLTS	CCT (K)	LPW	LUMENS
LHB7850	78W Linear High Bay Gen 4 with sensor socket	78	120-277	5000K	154	12,000
LHB11550	115W Linear High Bay Gen 4 with sensor socket	115	120-277	5000K	157	18,000
LHB15550	155W Linear High Bay Gen 4 with sensor socket	155	120-277	5000K	155	24,000
LHB20050	200W Linear High Bay Gen 4 with sensor socket	200	120-277	5000K	150	30,000
LHB27050	270W Linear High Bay Gen 4 with sensor socket	270	120-277	5000K	148	40,000
LHB40050	400W Linear High Bay Gen 4 with sensor socket	400	120-277	5000K	150	60,000

HIGH VOLTAGE

ORDERING CODE	DESCRIPTION	WATTS	VOLTS	CCT (K)	LPW	LUMENS
LHB7850HV	78W Linear High Bay Gen 4 high voltage with sensor socket	78	277-480	5000K	154	12,000
LHB11550HV	115W Linear High Bay Gen 4 high voltage with sensor socket	115	277-480	5000K	157	18,000
LHB15550HV	155W Linear High Bay Gen 4 high voltage with sensor socket	155	277-480	5000K	155	24,000
LHB20050HV	200W Linear High Bay Gen 4 high voltage with sensor socket	200	277-480	5000K	150	30,000
LHB27050HV	270W Linear High Bay Gen 4 high voltage with sensor socket	270	277-480	5000K	148	40,000
LHB40050HV	400W Linear High Bay Gen 4 high voltage with sensor socket	400	277-480	5000K	150	60,000

Note: High voltage available MTO (Made To Order). Sizes may vary. High voltage models DLC 5.1 Premium.

SELECTABLE WATTAGE

ORDERING CODE	DESCRIPTION	WATTS	VOLTS	CCT (K)	LPW	LUMENS
LHBX40	Linear High Bay Gen 4 Selectable Wattage with sensor socket	115 155 200	120-277	4000K	150	18,000 24,000 30,000

aisle models

ORDERING CODE	DESCRIPTION	WATTS	VOLTS	CCT (K)	LPW	LUMENS
LHB7850A*	78W Linear High Bay Gen 4 with sensor socket	78	120-277	5000K	154	12,000
LHB11550A*	115W Linear High Bay Gen 4 with sensor socket	115	120-277	5000K	157	18,000
LHB15550A*	155W Linear High Bay Gen 4 with sensor socket	155	120-277	5000K	155	24,000
LHB20050A*	200W Linear High Bay Gen 4 with sensor socket	200	120-277	5000K	150	30,000
LHB27050A*	270W Linear High Bay Gen 4 with sensor socket	270	120-277	5000K	148	40,000
LHB40050A*	400W Linear High Bay Gen 4 with sensor socket	400	120-277	5000K	150	60,000

HIGH VOLTAGE

ORDERING CODE	DESCRIPTION	WATTS	VOLTS	CCT (K)	LPW	LUMENS
LHB7850AHV*	78W Linear High Bay Gen 4 high voltage with sensor socket	78	277-480	5000K	154	12,000
LHB11550AHV*	115W Linear High Bay Gen 4 high voltage with sensor socket	115	277-480	5000K	157	18,000
LHB15550AHV*	155W Linear High Bay Gen 4 high voltage with sensor socket	155	277-480	5000K	155	24,000
LHB20050AHV*	200W Linear High Bay Gen 4 high voltage with sensor socket	200	277-480	5000K	150	30,000
LHB27050AHV*	270W Linear High Bay Gen 4 high voltage with sensor socket	270	277-480	5000K	148	40,000
LHB40050AHV*	400W Linear High Bay Gen 4 high voltage with sensor socket	400	277-480	5000K	150	60,000

* Aisle models DLC 5.1 Standard.



EMERGENCY BATTERY BACKUP

Emergency Battery Backup Compatibility

EMBB	78W	115W	155W	200W	270W	400W
EB10	X					
EB20		X	X	X		
EB40					X	



ORDERING CODE	DESCRIPTION	USAGE
EB10	10W Emergency Battery Backup	Supplies battery backup to an individual fixture for up to 90 minutes. <u>Must be ordered with EBCM or EBAM indicator module.</u>
EB20	20W Emergency Battery Backup	Supplies 90 minutes of battery backup to the fixture in times of a power outage. <ul style="list-style-type: none"> This unit is compatible with fixtures using $\leq 80W$ and $\leq 200W$. <u>Must be ordered with EBCM or EBAM indicator module.</u>
EBAM	Adhesive-mounted Indicator Module	In drywall/open ceiling applications, this unit connects to the EB10 and is mounted via adhesive, where it displays the unit's current status of operation.
EBCM	Ceiling-mounted Indicator Module	In grid ceiling applications, this unit connects to the EB20 and is recess mounted in an adjacent panel where it displays the unit's current status of operation.
TR01	Test Remote Control	Used for testing and demonstrating the functionality of EB10, EB10N and EB20 emergency battery backup integrated products.
EB40	40W Emergency Battery Backup	Supplies 90 minutes of battery backup to the fixture in times of a power outage. <ul style="list-style-type: none"> This unit is compatible with fixtures using $>0W$ and $\leq 300W$. This unit is not currently compatible with sensor usage.

ACCESSORIES

SC005



SC006



SCR053



SC008



SCR054



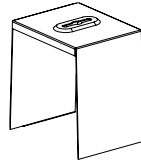
BCS01



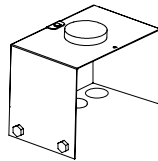
SENSORS & CONTROLS

ORDERING CODE	DESCRIPTION	USAGE
SC005	Plug-in PIR Sensor	Enable occupancy sensing and daylight harvesting on pluggable fixtures.
SC006	Plug-in Microwave Sensor	Enable occupancy sensing and daylight harvesting on pluggable fixtures.
SCR053	Remote Control	Used (with SC005 and SC006 sensor) to adjust settings after installation.
SC008	Plug-in Bluetooth PIR Sensor with IR	This sensor enables wireless control of fixtures, or groups of fixtures, through the LiteSmart mobile app.
SCR054	Remote Control	Used to Commission LiteTronics "Next Generation" LiteSmart IR-Enabled Sensor SC008.
BCS01	Bluetooth control switch	Used to control functionality of the fixture; on/off, dimming, daylight harvesting and scene selection.

LHBA4SM



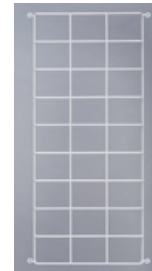
LHBA4PM



LHBAG41



LHBAG42



MOUNTS & GUARDS

ORDERING CODE	USAGE
LHBA4SM	LED Linear High Bay Gen 4 with surface mount accessory.
LHBA4PM	LED Linear High Bay Gen 4 with pendant mount accessory.
LHBAG41	Linear High Bay wire guard Gen 4 1.4 Ft. Compatible with LHB7850 & LHB11550
LHBAG42	Linear High Bay wire guard Gen 4 1.9 Ft. Compatible with LHB15550 & LHB20050

WIRELESS CONTROL WITH PLUGGABLE SENSORS



The optional MW (SC006), and PIR Sensor (SC005) PIR sensor use a remote control for easy setup and control of individual fixtures.



The smart PIR sensor uses a remote control (SCR054) to Commission LiteTronics "Next Generation" LiteSmart IR-Enabled Sensor.

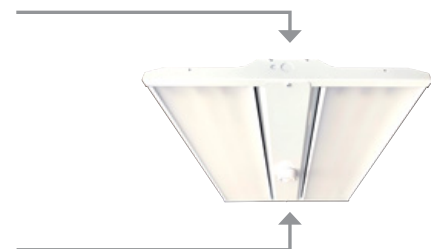


LITESMART



LiteSmart is a mobile app that enables total management of lighting systems at the touch of your fingers. Within the app, all functionality can be set up and controlled; on/off, dimming, grouping, scene creation and time scheduling. Adjustments can also be made to the occupancy sensor and daylight harvesting settings, then implemented across an entire group in seconds.

- Total control over your lighting system
- Quick and easy changes that can be implemented in seconds across a group of fixtures
- Further energy reduction via occupancy sensing, daylight harvesting and max wattage control
- Ability to create custom scenes based on specific needs, such as presentations
- Time scheduling that sets hours of operation per day



*Set up and manage your space with LiteSmart.
Use the remote switch for everyday control.*

Litetronics, Inc. | 6969 W. 73rd St. Bedford Park, IL 60638 | Tel: 800-860-3392 | customerservice@litetronics.com

www.Litetronics.com